

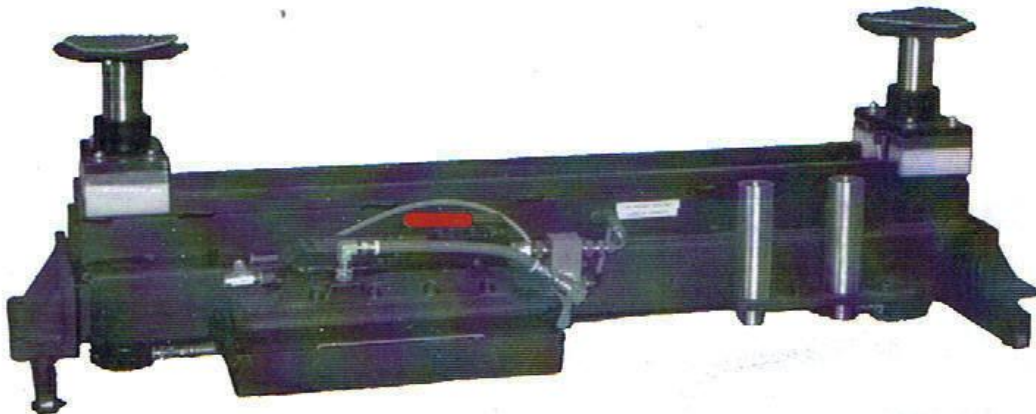
B D S T E E L F A B R I C A T I O N

***AJ-15**

AJ-18

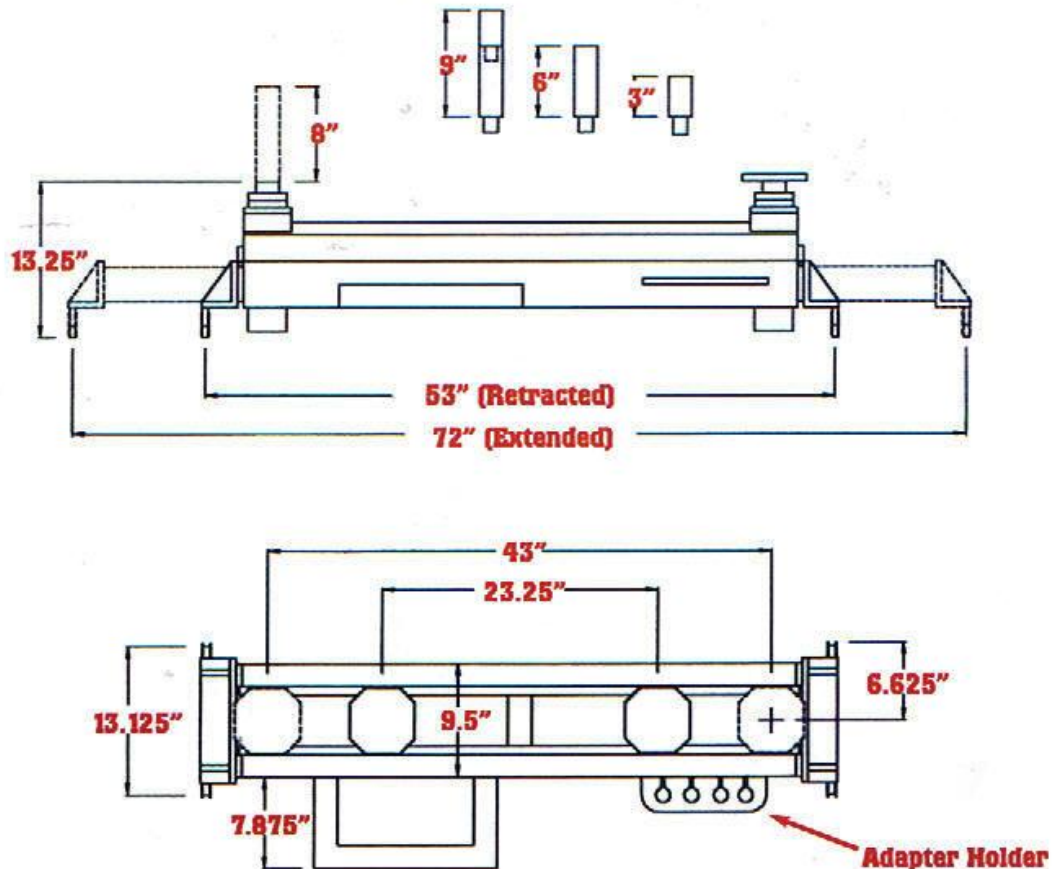
AJ-20

AJ-25



817-870-1570 FAX 817-443-3906
15920 Hwy. 377 So., Ft. Worth, Texas 76126

*AJ-15 Specifications



Capacity 15,000 #
Power 100-150 P.S.I. (Shop Air)
Ship Weight 465 lbs.

- All Jacks are standard with stack adapters, and adjust from 1" pad height to 4", 6" and 10" heights.
- Adapter holder on Jack for pads and adapters.
- Standard color is black, other colors available.
- Jacks available for various lift brands and lube pits.
- Other capacities available 18,000 #, 20,000 #, 25,000 #.
- Limited 1 year warranty.