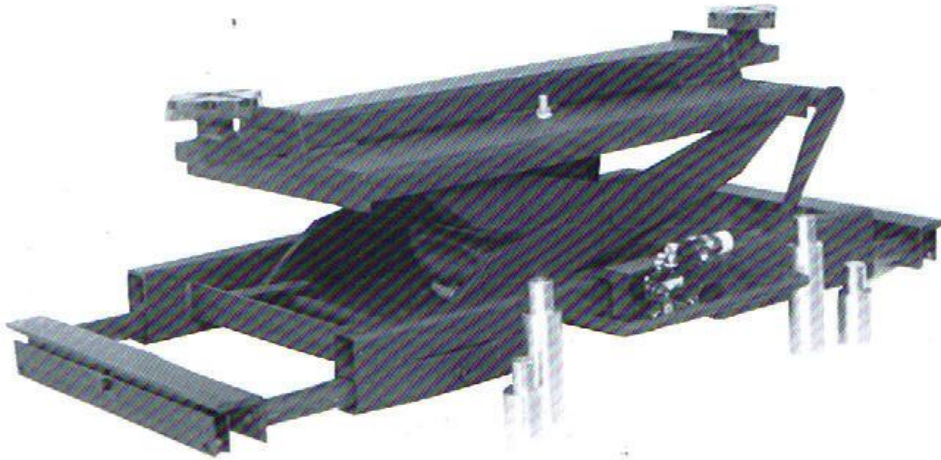
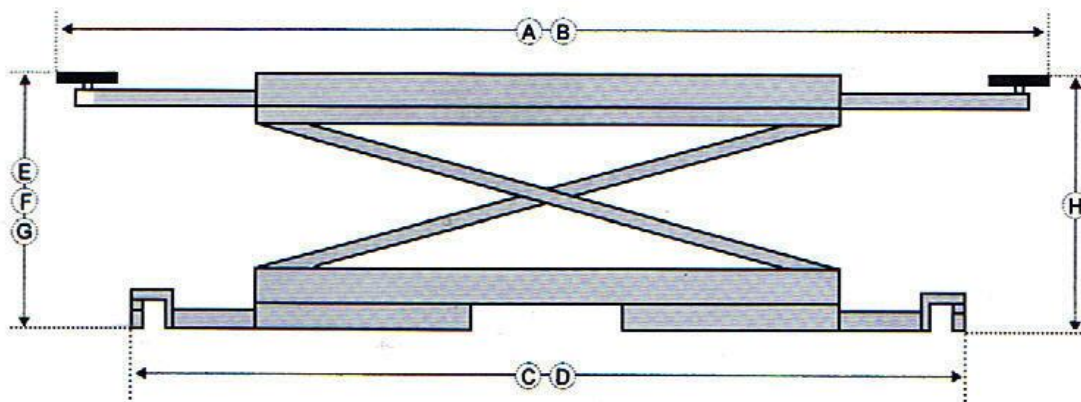


# **G B D STEEL FABRICATION**

**AJ6  
AJ8  
AJ12**



**817-870-1570    FAX 817-443-3906**  
**15920 Hwy. 377 So., Ft. Worth, Texas 76126**



Model	AJ6	AJ8	AJ12
A. Arms Extended	45 1/2"	50 1/4"	57"
B. Arms Retracted	32"	35 1/2"	38"
C. Axles Extended	56 1/2"	56 1/2"	62"
D. Axles Retracted	41"	41"	44"
E. Raised Height	15 3/4"	15 3/4"	16 1/2"
F. Raised Height w/Adapter	18 3/4"	18 3/4"	20 1/2"
G. Raised Height w/Truck Adapter	21 3/4"	21 3/4"	26 1/2"
H. Collapsed Height	8 1/2"	8 1/2"	9 1/4"
Shipped Weight	350	375	475
Capacity	6,000 lbs.	8,500 lbs.	12,000 lbs.

- All Jacks are standard with stack adapters, and adjust from 1" pad height to 4", 6" and 10" heights.
- Adapter holder on Jack for pads and adapters.
- Standard color is black, other colors available.
- Jacks available for various lift brands and lube pits.
- Limited 1 year warranty.